



**3-year**  
warranty

**V1558S / V1558 / V1658**  
Automatic skinning machine

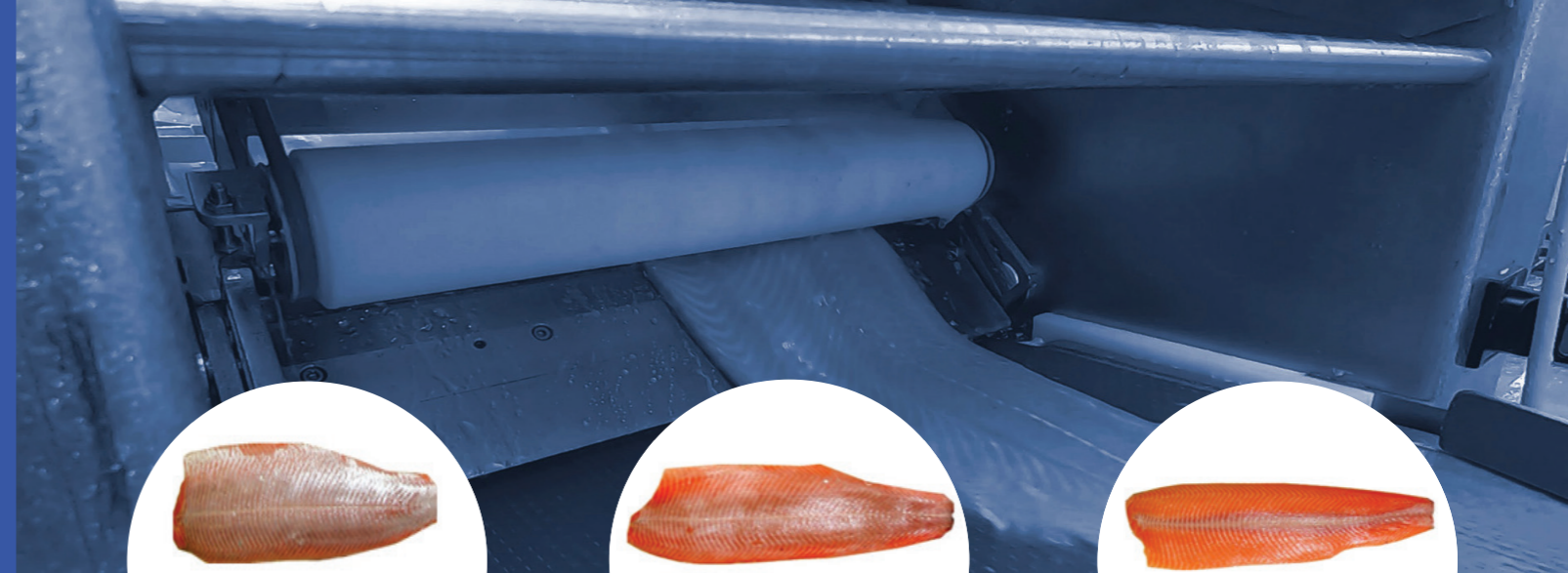
for **large**  
**fish fillets**  
with **rough**  
**skin**

***A compact machine*** to fine  
or deeply skin your fish fillets

- ▶ Single or double lane machine
- ▶ Plug & Play
- ▶ Easy to clean
- ▶ Easy to move
- ▶ Industrial capacity

## V1558S / V1558 / V1658 Automatic skinning machine

The V1558 series and the V1658 are compact single or double lane skinning machines designated to skin all types of large fillets with rough skin. The machines have 2 pressing rollers enabling to process 2 fillets at the same time for industrial needs. They can be provided with one pressing roller and can then be used as a single lane skinning machine. The skinning options range from silver to traditional to deep skinning of fillets.



Silver skinning



Traditional skinning



Deep skinning

## Key features

1. Single and/or double lane machine
2. Skinning thickness easily adjustable with handwheel
3. Plug & Play: already configured and easy to operate
4. Easy to assemble/disassemble
5. Easy to clean: lift and remove the conveyor
6. Easy to move: machine on wheels
7. Conveyor mode: no need to move the machine when using the machine as a conveyor
8. Industrial capacity: up to 120 fillets/min
9. 100% stainless steel



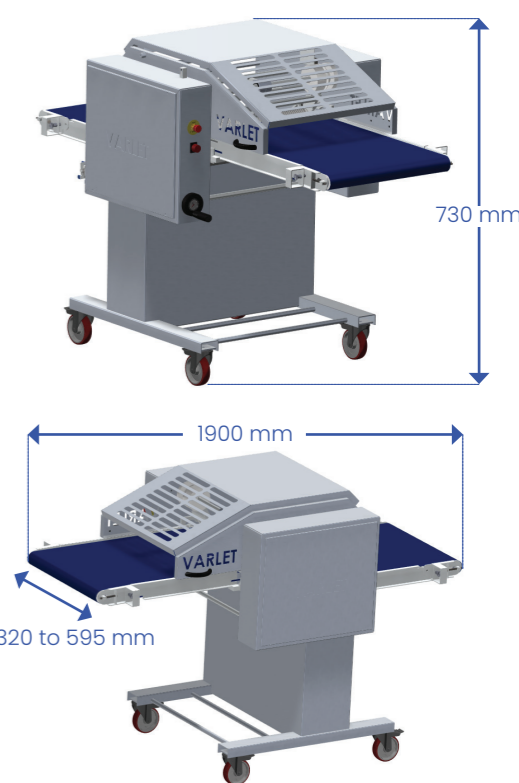
2.

The handwheel on the machine allows the operator to change the skinning depth quickly and easily.

## Technical information

Capacity: up to 120 fillets/min  
 Water consumption: Max. 11 l/min  
 Height, infeed belt: 850 mm  
 Speed, infeed belt (standard): 17 m/min  
 Height, outfeed belt (standard): 730 mm  
 Speed, outfeed belt (standard): 35 m/min  
 Power connection: 3 x 400 V + PE, 50 Hz\*  
 Power consumption: 1.2 kW  
 Noise level: 65 dB (A)

\* other power connection available upon request



3-year warranty

### Options available

- ▶ Eco'o system: Fillet detection sensor to reduce water consumption
- ▶ Speed variator
- ▶ Central separator
- ▶ Possibility to customize integration to adapt to specific working environments

Flash this QR code to watch the video introducing the V1558 machine



	V1558S	V1558	V1658
Working width	320 mm	488 mm	595 mm
Width	770 mm	930 mm	1040 mm
Height	1265 mm	1265 mm	1265 mm
Weight	260 kg	280 kg	300 kg
Lane	single lane	single or double lane	double or single lane



## VARLET MACHINES

Founded in 1933, Varlet Machines is a French company based in Boulogne-sur-Mer, which designs, manufactures and sells machines for processing fish, meat and poultry.

With an experience of more than 80 years and the will to answer the more and more demanding expectations of the market, the company is today the first French manufacturer of machines in this field.



Varlet Machines, 12-14, rue de Magenta,  
62200 BOULOGNE-SUR-MER, FRANCE



Tel: +33 (0)3 21 31 49 26



[contact@varletmachines.com](mailto:contact@varletmachines.com)



[www.varletmachines.com](http://www.varletmachines.com)