



3-year
warranty

V1330 VA

Automatic poultry
skinning machine

for **all types**
of poultry
chicken, duck,
turkey

An innovative ***automatic machine*** for skinning
your poultry

- ▶ Removable infeed belt
- ▶ Thickness adjustment by notches
- ▶ Outfeed belt (optional)
- ▶ Articulated pressure wheels
- ▶ Continuous operation
- ▶ Safety comb

V1330 VA – Automatic skinning machine for poultry

The V1330 VA is a compact skinning machine for poultry, with or without bone (thighs, upper thighs, fillets, drumsticks).

Its notched thickness adjustment allows precise blade height setting according to the product being processed. An air cleaning system (travelling blower) optimizes the efficiency of the skinning roller.

Designed in particular for poultry breasts and thighs, it effectively removes the skin while preserving meat quality.

Suitable for both fresh and processed products, it improves yield while reducing losses. Available with an optional outfeed conveyor, it can also be fitted with a inclined outfeed slide (removable without tools) for collection into trays.

Finally, its design promotes operator safety by limiting manual handling.



Key features

1. Easy to use; no specific maintenance required
2. Removable infeed conveyor
3. Notched thickness adjustment for greater precision
4. Space-saving design with an inclined outfeed slide
5. Adjustable pressure wheel position according to product thickness
6. Tool-free removable pressure wheel assembly
7. Safety cover
8. Quick and easy cleaning (removable blade guard without tools and tilting safety comb)
9. Air injection to continuously clean the skinning roller
10. 100% stainless steel



The V1330 VA machine has a notch thickness adjustment system.

Technical information

Working width: 488 mm
Speed, infeed belt: 15 m/min
Weight: 232 kg (216 kg without conveyor)
Standard power connection: 400 V three-phase, 50 Hz*
Power consumption: 0.73 kW three-phase

* other power connection available upon request



Flash this QR code to watch the video introducing the V1330 VA machine skinning chicken breasts



Available Options

- ▶ Outfeed conveyor (removable without tools)
- ▶ Blade holder support
- ▶ Adjustable Shore hardness for pressure rollers

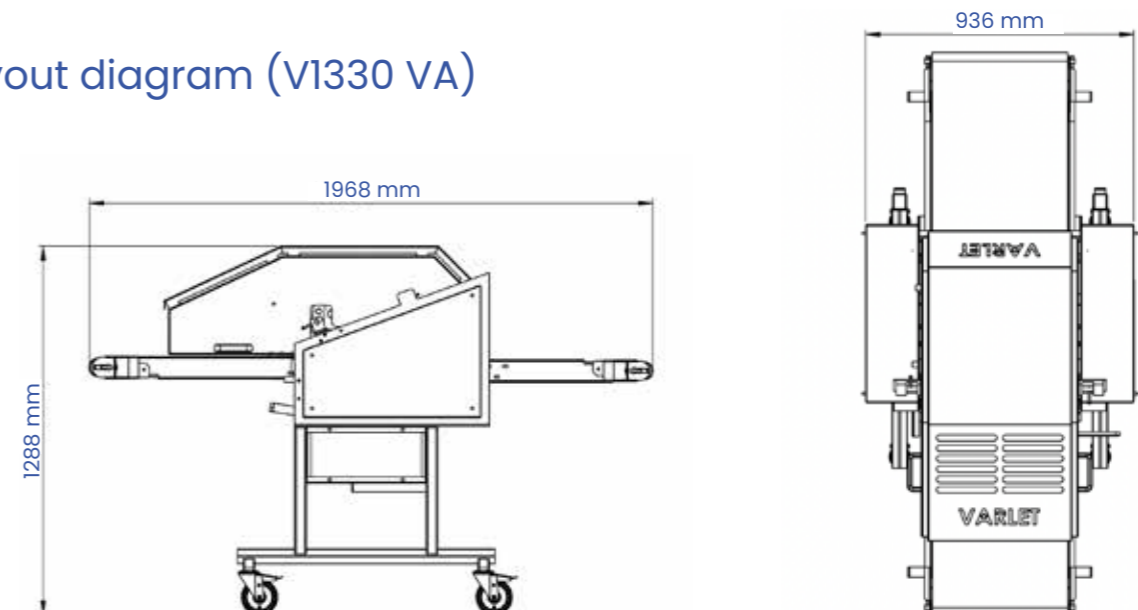


Travelling blower ensuring optimal skinning roller efficiency



Chicken breasts at the output of the V1330 VA

Layout diagram (V1330 VA)





VARLET MACHINES

Founded in 1933, Varlet Machines is a French company based in Boulogne-sur-Mer, which designs, manufactures and sells machines for processing fish, meat and poultry.

With an experience of more than 80 years and the will to answer the more and more demanding expectations of the market, the company is today the first French manufacturer of machines in this field.



Varlet Machines, 12-14, rue de Magenta,
62200 BOULOGNE-SUR-MER, FRANCE



Tel. : +33 (0)3 21 31 49 26



contact@varletmachines.com



www.varletmachines.com